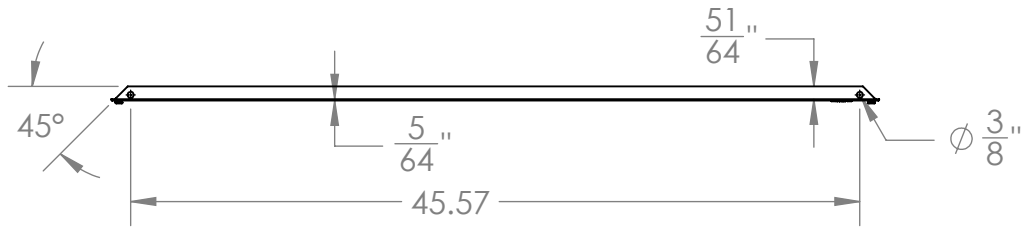


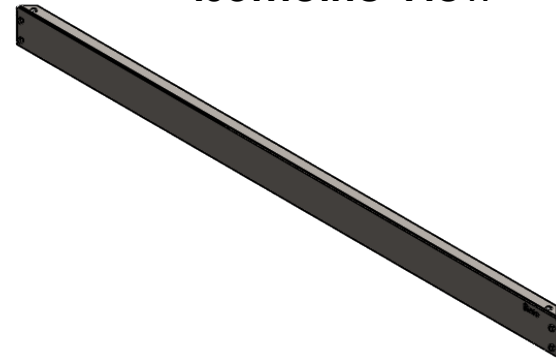
2

1

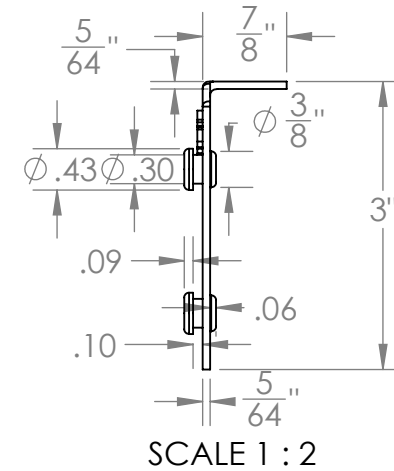
Top View



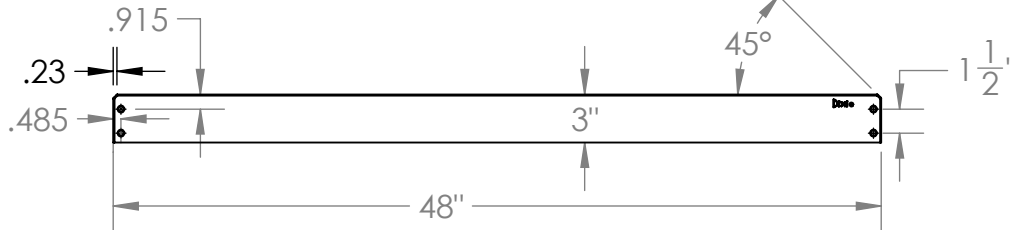
Isometric View



Side View



Front View



SCALE 1 : 2

PROPRIETARY AND CONFIDENTIAL

THE INFORMATION CONTAINED IN DRAWING IS THE SOLE PROPERTY OF DIXIE SHELVING CONCEPTS. ANY REPRODUCTION IN PART OR AS A WHOLE WITHOUT THE WRITTEN PERMISSION OF DIXIE SHELVING CONCEPTS IS PROHIBITED.

UNLESS OTHERWISE SPECIFIED:

DIMENSIONS ARE IN INCHES
TOLERANCES: $\pm 1/32$ "

MATERIAL: 14 GAUGE STEEL - 50 ksi MAX YIELD

FINISH: POWDER COATED

PART FOR ASSEMBLY OF:
WIDESPAN STORAGE SYSTEMCOMMENTS:
MINIMUM 4 OF THESE TYPE OF PARTS
NECESSARY FOR ASSEMBLY

DO NOT SCALE DRAWING

DRAWN BY: NICK LOUPE (6/18/2018)

TITLE:

**Widespan:
Two Rivet Beam - 48 in.**

SIZE

A

DWG. NO.

1

REV

SCALE: 1:12 WEIGHT: 3.9 LBS. SHEET 1 OF 1



2

1

B

B

A

A