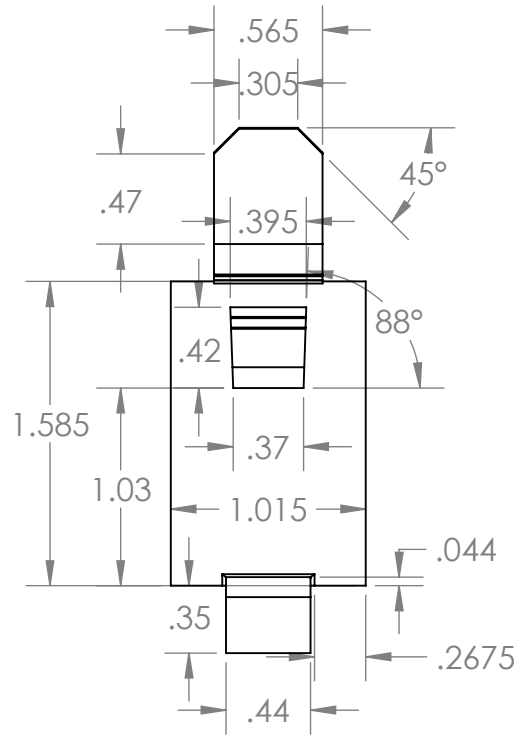


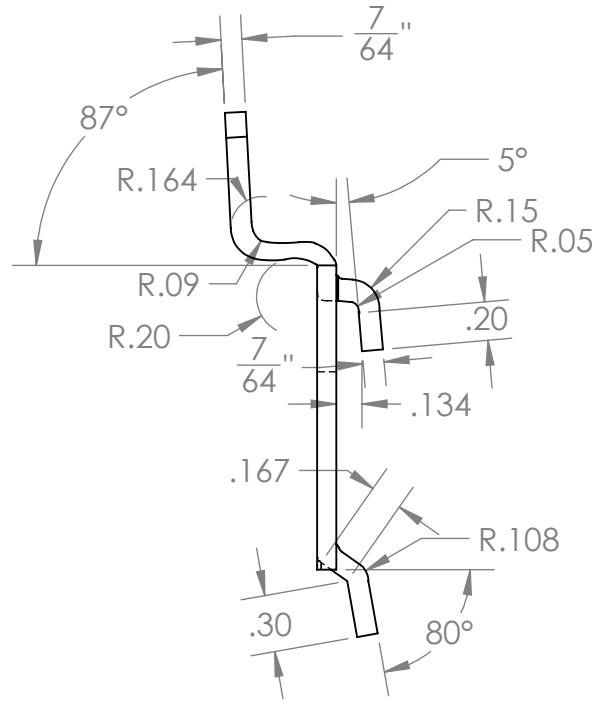
2

1

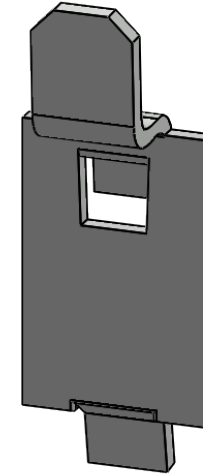
Back View



Side View



Dimetric View



B

B

A

A

PROPRIETARY AND CONFIDENTIAL

THE INFORMATION CONTAINED IN DRAWING IS THE SOLE PROPERTY OF DIXIE SHELVING CONCEPTS. ANY REPRODUCTION IN PART OR AS A WHOLE WITHOUT THE WRITTEN PERMISSION OF DIXIE SHELVING CONCEPTS IS PROHIBITED.

UNLESS OTHERWISE SPECIFIED:

DIMENSIONS ARE IN INCHES
TOLERANCES: ± 1/16"

MATERIAL: 12 GAUGE STEEL - 50 ksi MAX YIELD

FINISH: ZINC COATED

PART FOR ASSEMBLY OF:
INDUSTRIAL METAL SHELVING STORAGE SYSTEM

COMMENTS:
- DIMENSIONS MEASURED FROM SCRATCH
- RADII AND ANGLES MAY VARY
- USED TO SECURE SHELVES TO POSTS THROUGH SQUARE HOLES

DO NOT SCALE DRAWING

DRAWN BY: NICK LOUPE (6/27/2018)

TITLE:

**Industrial Metal Shelving:
Shelf Clip**

SIZE

DWG. NO.

A

1

SCALE: 1:1 WEIGHT: 0.07 LBS. SHEET 1 OF 1



2

1