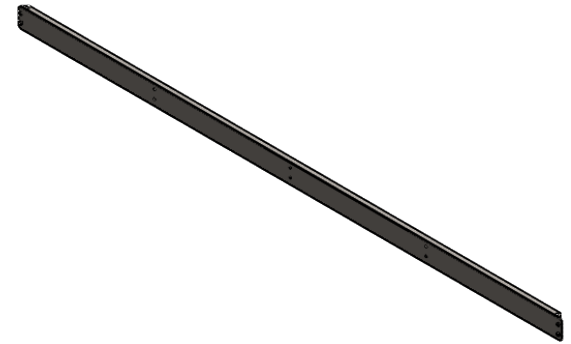
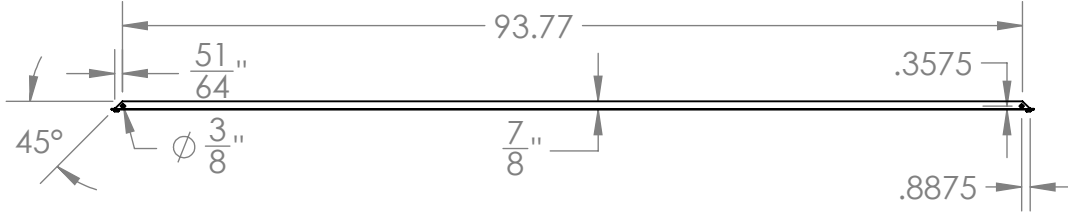


2

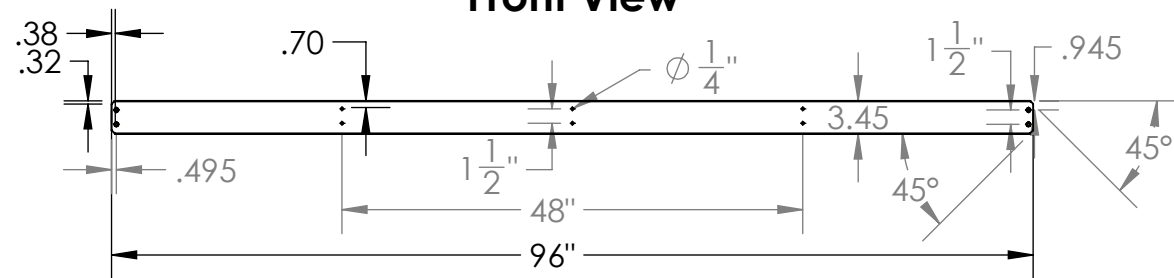
1

### Top View

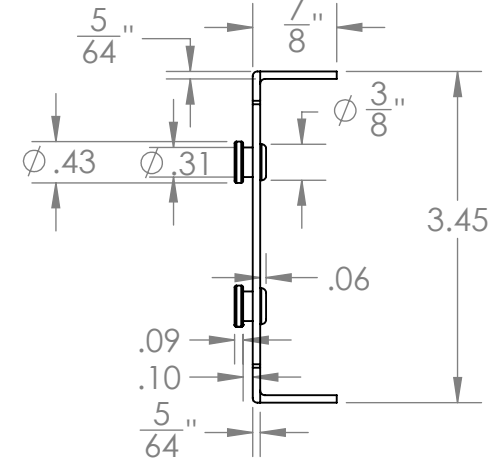
### Isometric View



### Front View

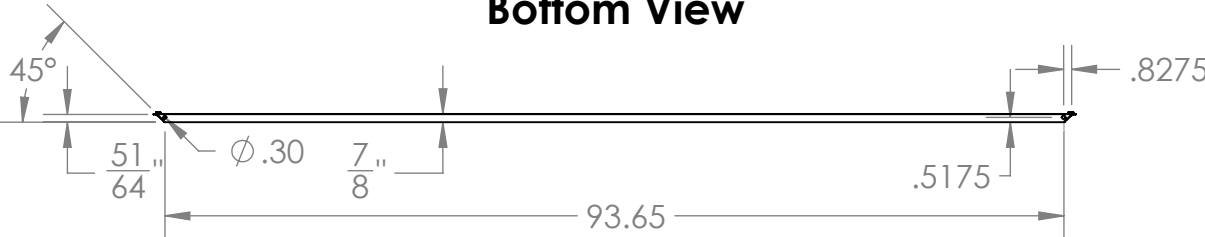


### Side View



Scale 1 : 2

### Bottom View



B

B

A

A

PROPRIETARY AND CONFIDENTIAL

THE INFORMATION CONTAINED IN DRAWING IS THE SOLE PROPERTY OF DIXIE SHELVING CONCEPTS. ANY REPRODUCTION IN PART OR AS A WHOLE WITHOUT THE WRITTEN PERMISSION OF DIXIE SHELVING CONCEPTS IS PROHIBITED.

UNLESS OTHERWISE SPECIFIED:

DIMENSIONS ARE IN INCHES  
TOLERANCES: ± 1/32"

MATERIAL: 14 GAUGE STEEL - 50 ksi MAX YIELD

FINISH: POWDER COATED

PART FOR ASSEMBLY OF:  
WIDESPAN STORAGE SYSTEM

COMMENTS:

DO NOT SCALE DRAWING

DRAWN BY: NICK LOUPE (6/18/2018)

TITLE:

**Widespan:  
Two rivet Channel  
Beam - 96 in.**

SIZE

**A**

DWG. NO.

**1**

REV

SCALE: 1:20 WEIGHT: 10.3 LBS. SHEET 1 OF 1

2

1

