

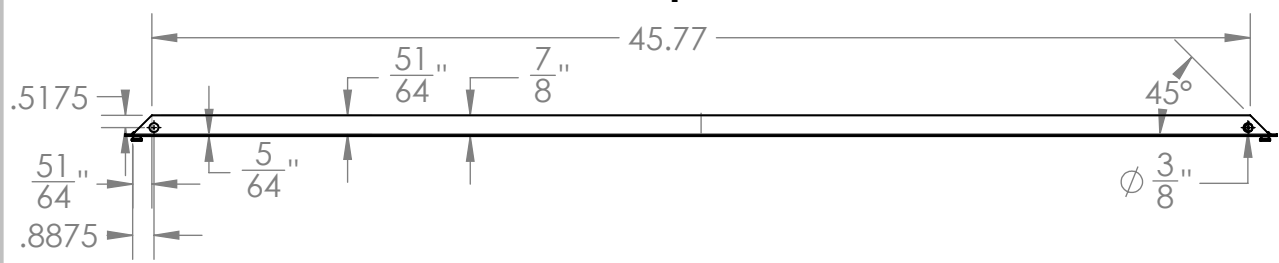
2

1

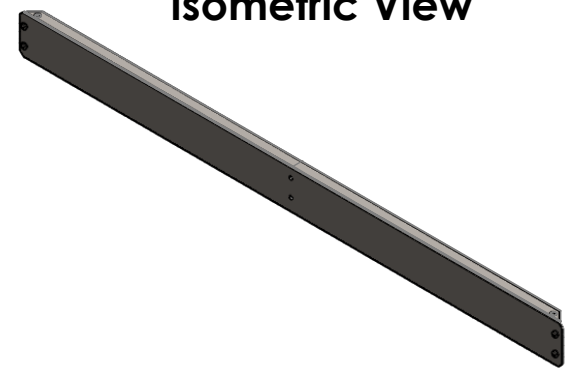
B

B

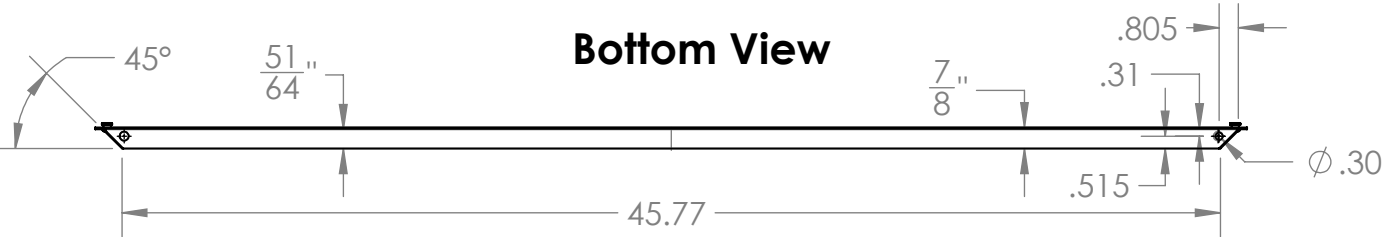
### Top View



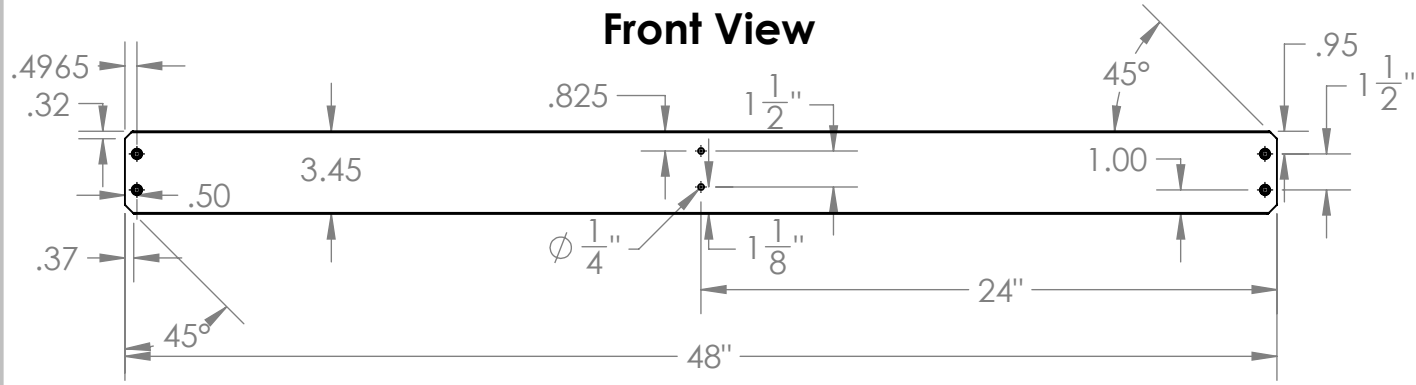
### Isometric View



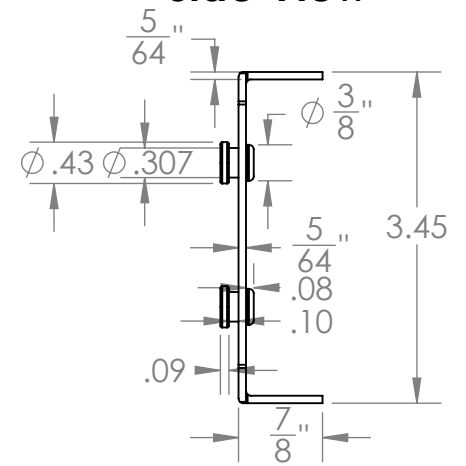
### Bottom View



### Front View



### Side View



Scale 1 : 2

A

A

PROPRIETARY AND CONFIDENTIAL

THE INFORMATION CONTAINED IN THIS DRAWING IS THE SOLE PROPERTY OF DIXIE SHELVING CONCEPTS. ANY REPRODUCTION IN PART OR AS A WHOLE WITHOUT THE WRITTEN PERMISSION OF DIXIE SHELVING CONCEPTS IS PROHIBITED.

UNLESS OTHERWISE SPECIFIED:
DIMENSIONS ARE IN INCHES
TOLERANCES: ± 1/32"
MATERIAL: 14 GAUGE STEEL - 50 KSI MAX YIELD
FINISH: POWDER COATED
PART FOR ASSEMBLY OF: WIDESPAN STORAGE SYSTEM
COMMENTS:
DO NOT SCALE DRAWING

DRAWN BY: NICK LOUPE (6/18/2018)

TITLE:  
**Widespan:  
Two Rivet Channel  
Beam - 48 in.**

SIZE	DWG. NO.	REV
<b>A</b>	1	
SCALE: 1:8	WEIGHT: 5.1 LBS.	SHEET 1 OF 1



2

1