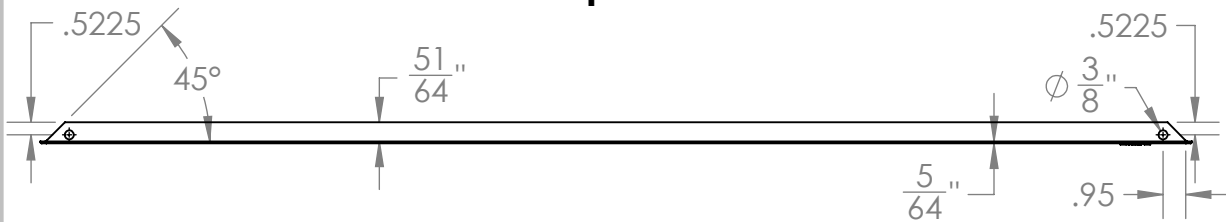


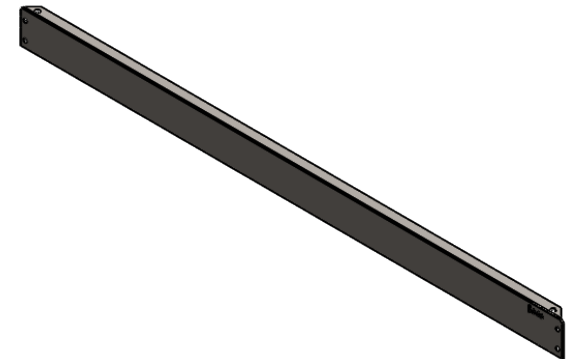
2

1

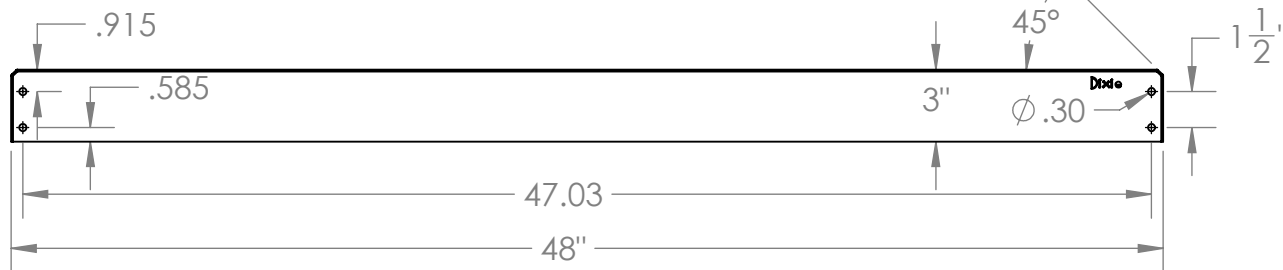
Top View



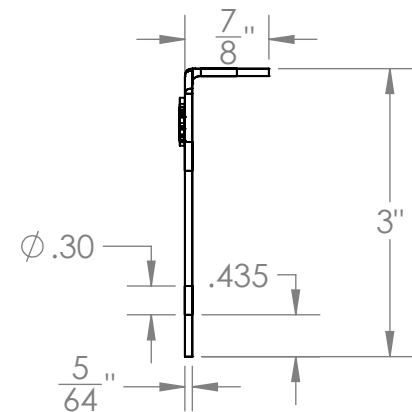
Isometric View



Front View



Side View



SCALE 1 : 2

PROPRIETARY AND CONFIDENTIAL

THE INFORMATION CONTAINED IN DRAWING IS THE SOLE PROPERTY OF DIXIE SHELVING CONCEPTS. ANY REPRODUCTION IN PART OR AS A WHOLE WITHOUT THE WRITTEN PERMISSION OF DIXIE SHELVING CONCEPTS IS PROHIBITED.

UNLESS OTHERWISE SPECIFIED:

DIMENSIONS ARE IN INCHES
TOLERANCES: ± 1/32"

MATERIAL: 14 GAUGE STEEL - 50 ksi MAX YIELD

FINISH: POWDER COATED

PART FOR ASSEMBLY OF:
INDUSTRIAL METAL SHELVING

COMMENTS:

- REQUIRED FOR CLOSED UNITS WITH DIVIDERS
- IMPLEMENTED AT THE FRONT BOTTOM OF THE UNIT
- OPTIONAL FOR OPEN AND CLOSED (W/O DIVIDERS) UNITS UPON REQUEST

DO NOT SCALE DRAWING

DRAWN BY: NICK LOUPE (6/27/2018)

TITLE:

**Industrial Metal Shelving:
Kick Plate - 48 in.**

SIZE DWG. NO.

A

1

SCALE: 1:8 WEIGHT: 3.8 LBS. SHEET 1 OF 1



2

1

B

B

A

A