

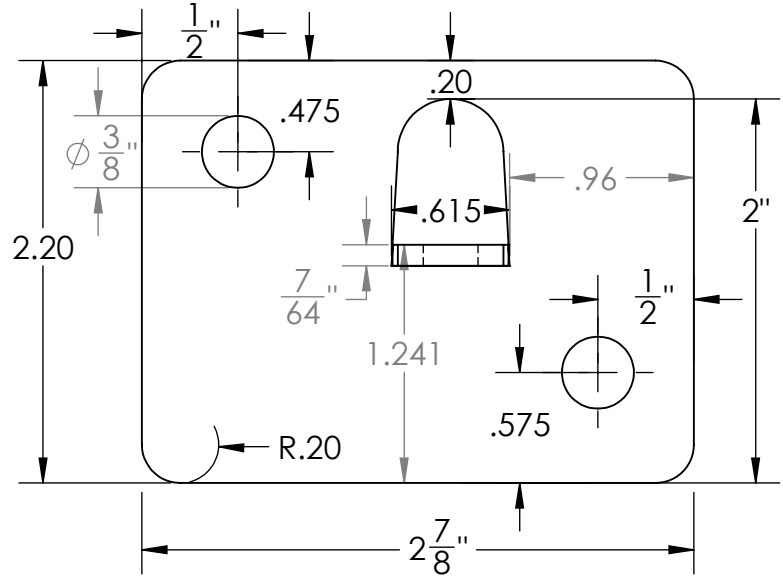
2

1

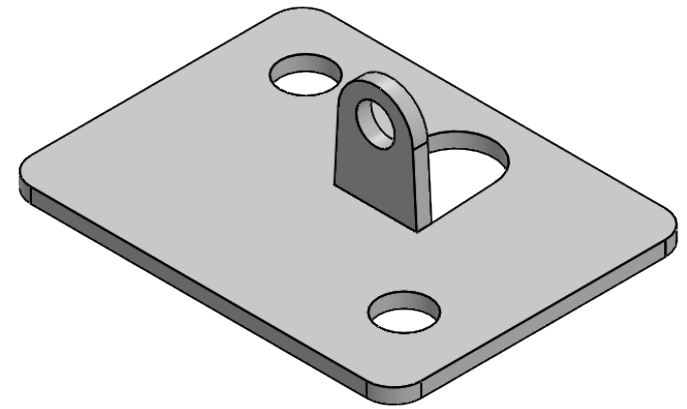
B

B

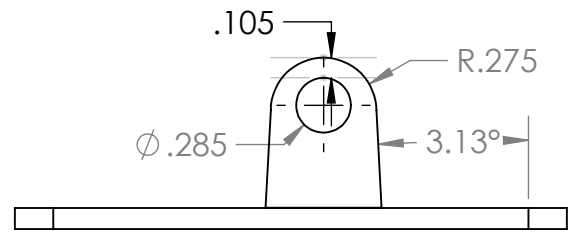
Top View



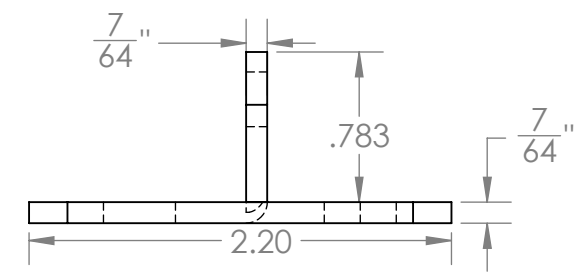
Isometric View



Front view



Side view



A

A

UNLESS OTHERWISE SPECIFIED:		DRAWN BY: NICK LOUPE (7/11/2018)	
DIMENSIONS ARE IN INCHES TOLERANCES: ± 1/32"		TITLE:	
MATERIAL: 12 GAUGE STEEL - 50 ksi MAX YIELD		Industrial Metal Shelving: Foot Plate	
FINISH: ZINC COATED		SIZE DWG. NO.	
PART FOR ASSEMBLY OF: INDUSTRIAL METAL SHELVING STORAGE SYSTEM		A 1	
COMMENTS: - BOLTED IN AT THE BASE OF THE POSTS AND INTO THE GROUND (3/8" BOLT) FOR ASSEMBLED UNITS TO ADD EXTRA SUPPORT AS WELL AS PREVENT FLOOR SCRATCHING		SCALE: 1:1 WEIGHT: 0.14 LBS, SHEET 1 OF 1	
DO NOT SCALE DRAWING			



2

1