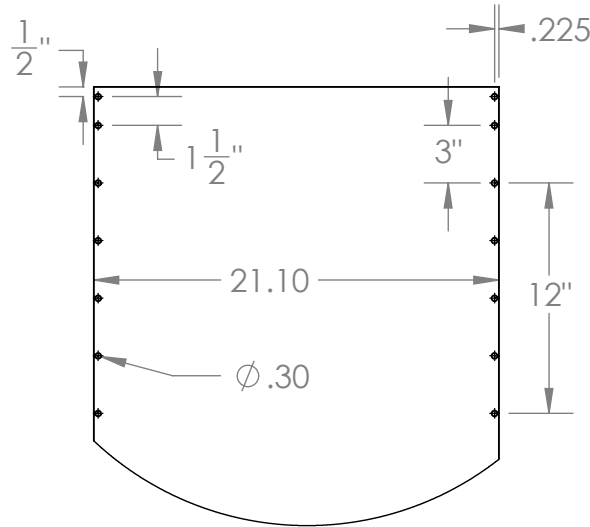
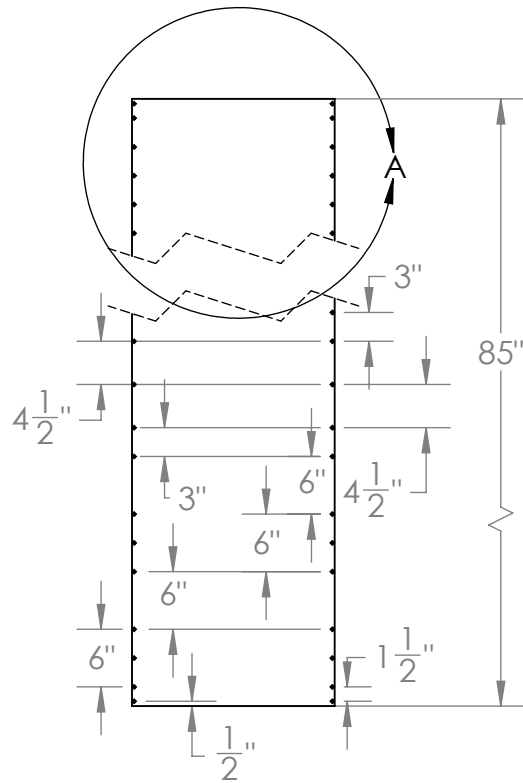


2

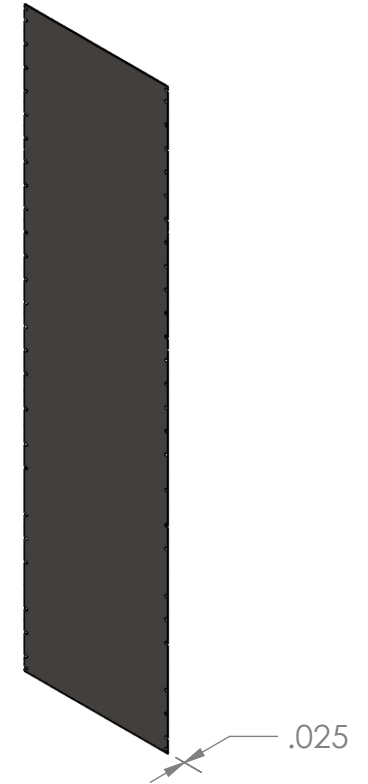
1

### Front View



DETAIL A  
SCALE 1 : 10

### Isometric View



B

B

A

A

PROPRIETARY AND CONFIDENTIAL

THE INFORMATION CONTAINED IN DRAWING IS THE SOLE PROPERTY OF DIXIE SHELVING CONCEPTS. ANY REPRODUCTION IN PART OR AS A WHOLE WITHOUT THE WRITTEN PERMISSION OF DIXIE SHELVING CONCEPTS IS PROHIBITED.



UNLESS OTHERWISE SPECIFIED:

DIMENSIONS ARE IN INCHES  
TOLERANCES: ± 1/32"

MATERIAL: 24 GAUGE STEEL

FINISH: POWDER COATED

PART FOR ASSEMBLY OF:  
INDUSTRIAL METAL SHELVING - CLOSED UNITS

COMMENTS:

- SHEET IS SYMMETRICAL ABOUT Y-AXIS CENTRLINE
- HOLES IN THE CUT-OFF SECTION ARE ALL 3" APART
- SHEETS LONGER THAN 85" ARE INSTALLED AS TWO SEPERATE PIECES

DO NOT SCALE DRAWING

DRAWN BY: NICK LOUPE (6/28/2018)

TITLE:

**Industrial Metal Shelving:  
End Sheet - 24" x 85"**

SIZE

**A**

DWG. NO.

**1**

BACK SHEETS 85" TALL ARE ALSO AVAILABLE IN THE FOLLOWING WIDTHS: 12" (5.6 LBS.), 15" (7.5 LBS.), 18" (9.2 LBS.), 24" [SHOWN] (12.5 LBS.), 30" (16.2 LBS.), AND 36" (19.4 LBS.)

SCALE: 1:20 WEIGHT: 12.45 LBS. SHEET 1 OF 1

2

1