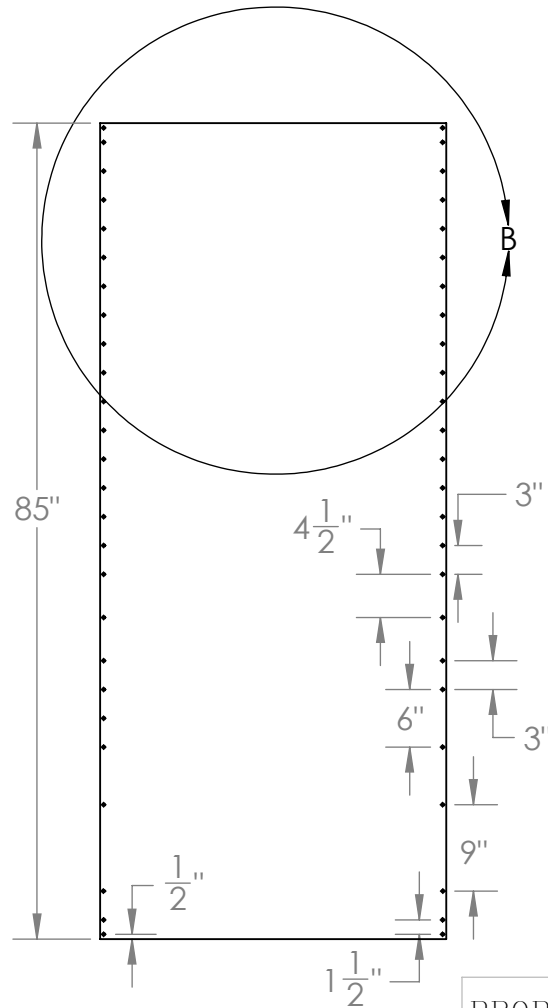


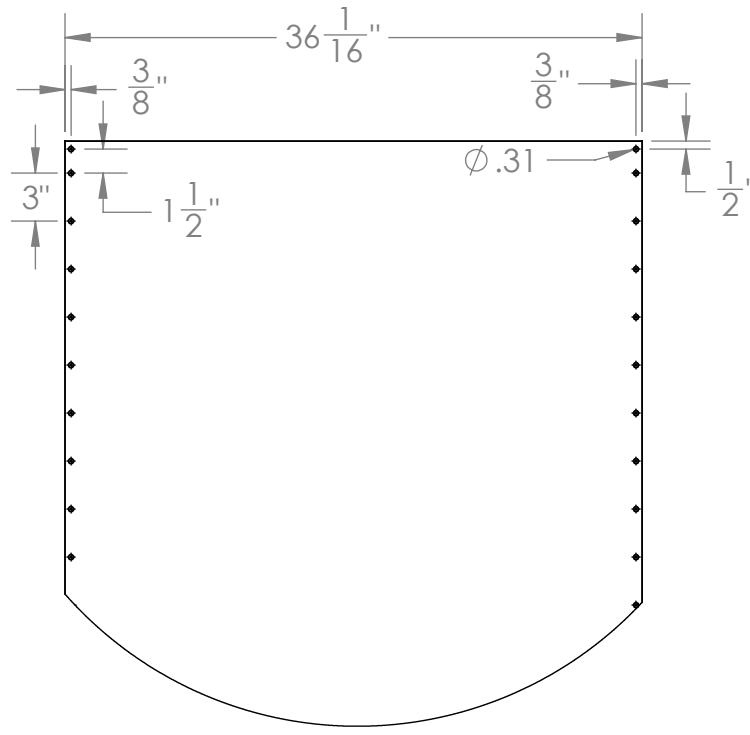
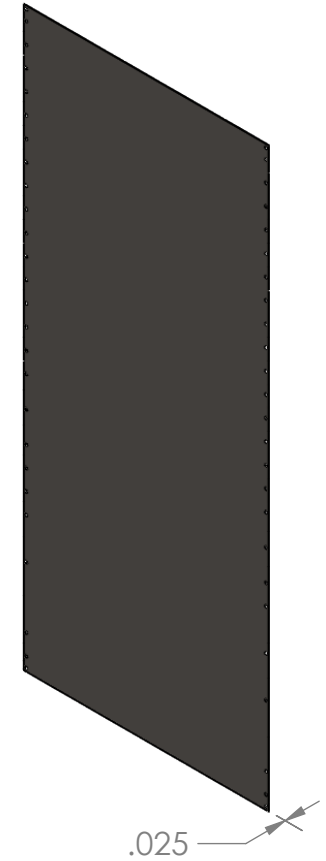
2

1

Front View



Isometric View



DETAIL B
SCALE 1 : 12

B

B

A

A

PROPRIETARY AND CONFIDENTIAL

THE INFORMATION CONTAINED IN DRAWING IS THE SOLE PROPERTY OF DIXIE SHELVING CONCEPTS. ANY REPRODUCTION IN PART OR AS A WHOLE WITHOUT THE WRITTEN PERMISSION OF DIXIE SHELVING CONCEPTS IS PROHIBITED.

UNLESS OTHERWISE SPECIFIED:

DIMENSIONS ARE IN INCHES

TOLERANCES: ± 1/32"

MATERIAL: 24 GAUGE STEEL

FINISH: POWDER COATED

PART FOR ASSEMBLY OF:
INDUSTRIAL METAL SHELVING

COMMENTS:

- SHEET IS SYMMETRICAL ABOUT Y-AXIS
CENTERLINE

- USED FOR CLOSED SHELVING SYSTEMS
- SHEETS LONGER THAN 85" ARE INSTALLED
AS TWO SEPERATE PIECES

DO NOT SCALE DRAWING

DRAWN BY: NICK LOUPE (6/27/2018)

TITLE:

**Industrial Metal Shelving:
Back Sheet - 36" x 85"**

SIZE

A

DWG. NO.

1

BACK SHEETS 85" HIGH ARE ALSO AVAILABLE IN THE FOLLOWING WIDTHS: 36" [SHOWN] (21.1 LBS.), 42" (24.6 LBS.), AND 48" (28.1 LBS.)

SCALE: 1:20 WEIGHT: 21.1 LBS, SHEET 1 OF 1



2

1