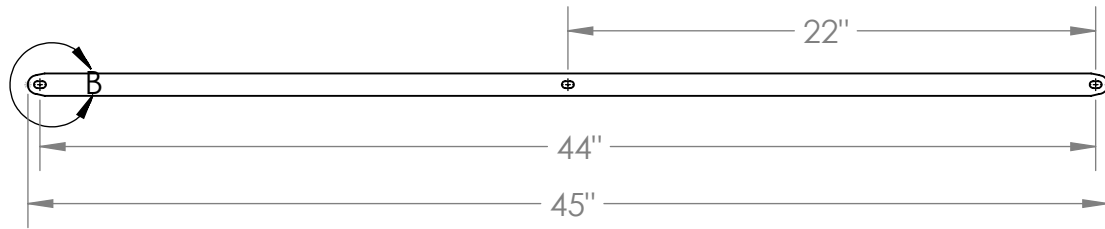


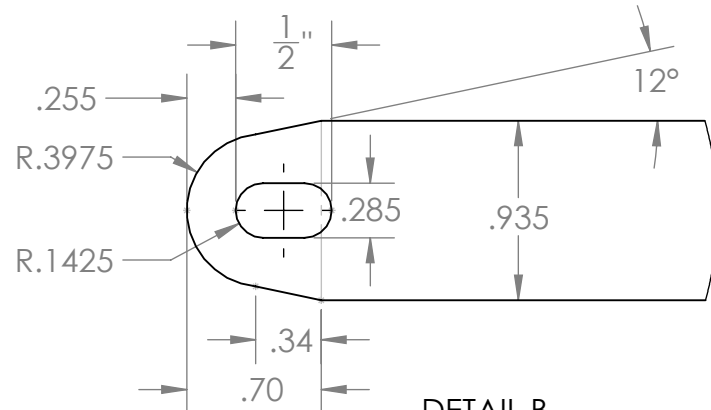
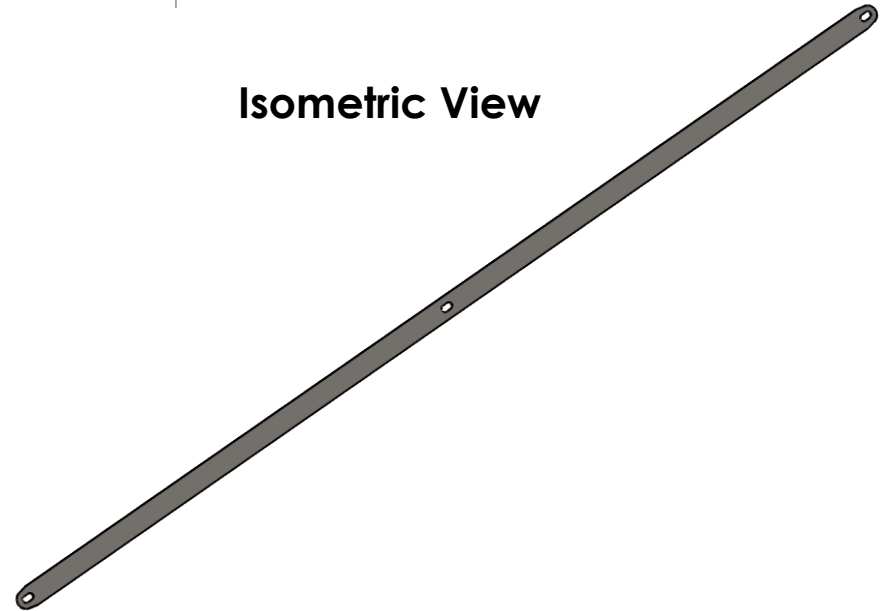
2

1

Front View



Isometric View



DETAIL B
SCALE 1 : 1

B

B

A

A

PROPRIETARY AND CONFIDENTIAL

THE INFORMATION CONTAINED IN DRAWING IS THE SOLE PROPERTY OF DIXIE SHELVING CONCEPTS. ANY REPRODUCTION IN PART OR AS A WHOLE WITHOUT THE WRITTEN PERMISSION OF DIXIE SHELVING CONCEPTS IS PROHIBITED.



UNLESS OTHERWISE SPECIFIED:

DIMENSIONS ARE IN INCHES
TOLERANCES: ± 1/32"

MATERIAL: 12 GAUGE STEEL - 50 ksi MAX YIELD

FINISH: POWDER COATED

PART FOR ASSEMBLY OF:
INDUSTRIAL METAL SHELVING

COMMENTS:
USED IN ASSEMBLY OF OPEN INDUSTRIAL METAL SHELVES AS AN X-BRACE REINFORCEMENT ALONG SHELVES BACKSIDE

DO NOT SCALE DRAWING

DRAWN BY: NICK LOUPE (7/10/2018)

TITLE:
**Industrial Metal Shelving:
Back Brace -
36" Lateral Width**

SIZE	DWG. NO.
A	1

SCALE: 1:8 WEIGHT: 1.15 LBS, SHEET 1 OF 1

2

1